



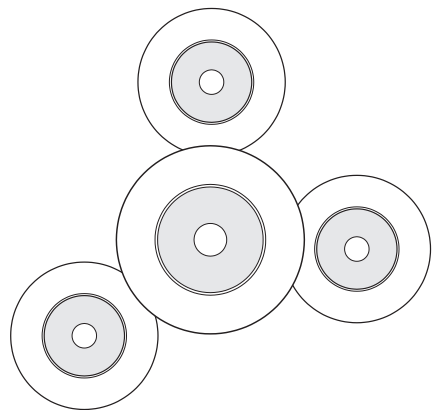
EL TORRENT IL·LUMINACIÓ S.L.

C/ Curreró 8, 17830
Mieres (Girona) Spain

T. +34 972 680 291
F. +34 972 680 011
eltorrent@eltorrent.com

www.eltorrent.com

EROL



Assembly instructions
Instrucciones de montaje

U11598.

ELECTRICAL INSTRUCTIONS FOR FLUSHMOUNTS, WALL SCONCES, AND PENDANTS.

Save these instructions. Min 90c supply conductors.

Cauton risk of fire. Use stated watt or smaller. Cauton risk of shock. Disconnect power before servicing.

To reduce the risk of a burn during replacing, allow to the bulb to cool down. Allowed for damp locations.

This product must be installed in accordance with the applicable installation code by a person familiar with the construction and operation of the product and the hazard involved. Warning: all wires and wire nuts used in the installation must be rated 195F(90C) for indoor use only these product must be installed by a qualified electrician.

UL8750.

ELECTRICAL INSTRUCTIONS FOR LAMPS WITH LED TECHNOLOGI.

Save these instructions. Min 90c supply conductors.

Cauton risk of fire. Use stated watt or smaller. Cauton risk of shock. Disconnect power before servicing.

Isn't allowed to change or replace any of the components involved on this piece without the authorization and instructions from the manufacturer.

Allowed for damp locations. This product must be installed in accordance with the applicable installation code by a person familiar with the construction and operation of the product and the hazard involved. Warning: all wires and wire nuts used in the installation must be rated 195F(90C) for indoor use only these product must be installed by a qualified electrician.



U11598.

ELECTRICAL INSTRUCTIONS FOR FLUSHMOUNTS, WALL SCONCES, AND PENDANTS.

Save these instructions. Min 90c supply conductors.

Cauton risk of fire. Use stated watt or smaller. Cauton risk of shock. Disconnect power before servicing.

To reduce the risk of a burn during replacing, allow to the bulb to cool down. Allowed for damp locations.

This product must be installed in accordance with the applicable installation code by a person familiar with the construction and operation of the product and the hazard involved. Warning: all wires and wire nuts used in the installation must be rated 195F(90C) for indoor use only these product must be installed by a qualified electrician.

UL8750.

ELECTRICAL INSTRUCTIONS FOR LAMPS WITH LED TECHNOLOGI.

Save these instructions. Min 90c supply conductors.

Cauton risk of fire. Use stated watt or smaller. Cauton risk of shock. Disconnect power before servicing.

Isn't allowed to change or replace any of the components involved on this piece without the authorization and instructions from the manufacturer.

Allowed for damp locations. This product must be installed in accordance with the applicable installation code by a person familiar with the construction and operation of the product and the hazard involved. Warning: all wires and wire nuts used in the installation must be rated 195F(90C) for indoor use only these product must be installed by a qualified electrician.



The safety of this fixture is only guaranteed if the following instructions have been observed.

Always disconnect power before working on fixture.

Replacement bulbs must be of same type and wattage as specified in istructions.

Metal surfaces, glass or other parts of fixture may be cleaned with a

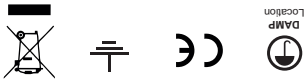
La securite du montage est seulement garanti si vous avez

respecter les instructions suivants.

Avant de monter/déconnecter le courant:

Les ampoules de remplacement doivent être de même type et la puissance en watts que spécifié dans des instructions.

Des surfaces métalliques, le verre ou d'autres parties peuvent être



TUS.ER.018 **LED 8W · 120V**

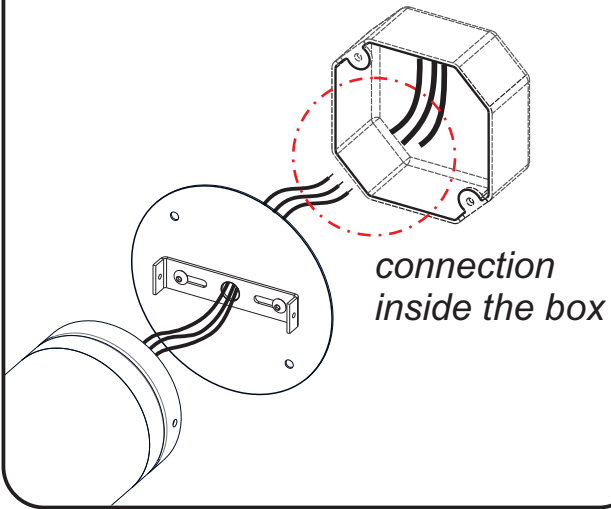
TUS.ER.023 **800lm · 2700K**

TRIAC dimming

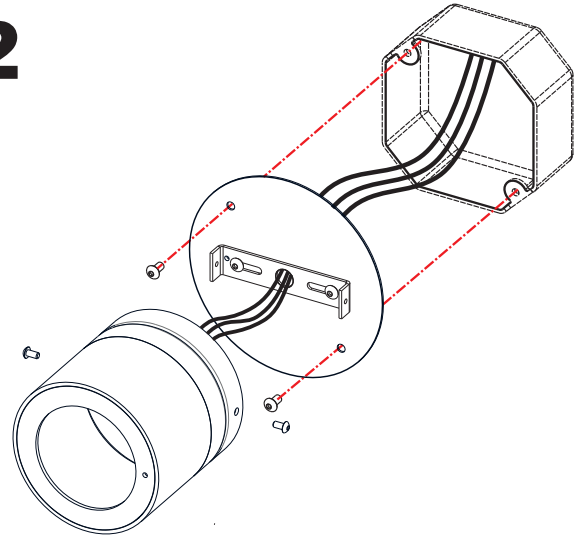
Tension d'entrée: 120-277V / 50-60HZ
Input voltage: 120-277V / 50-60HZ

Light for indoor use only
Seulement pour éclairage interieur

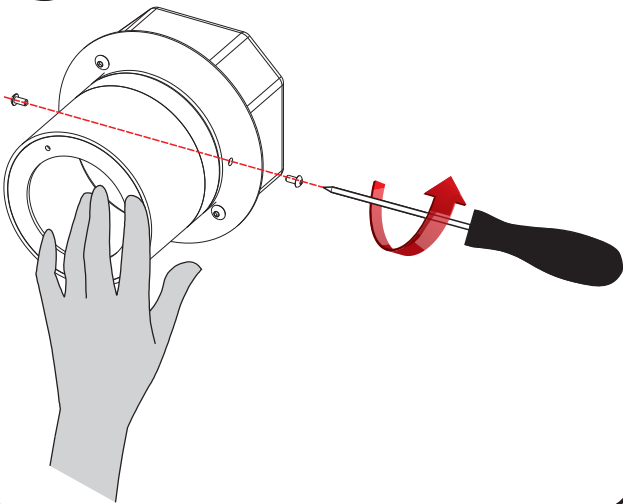
1



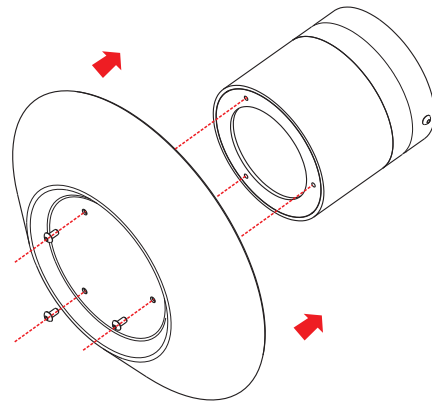
2



3



4



5

